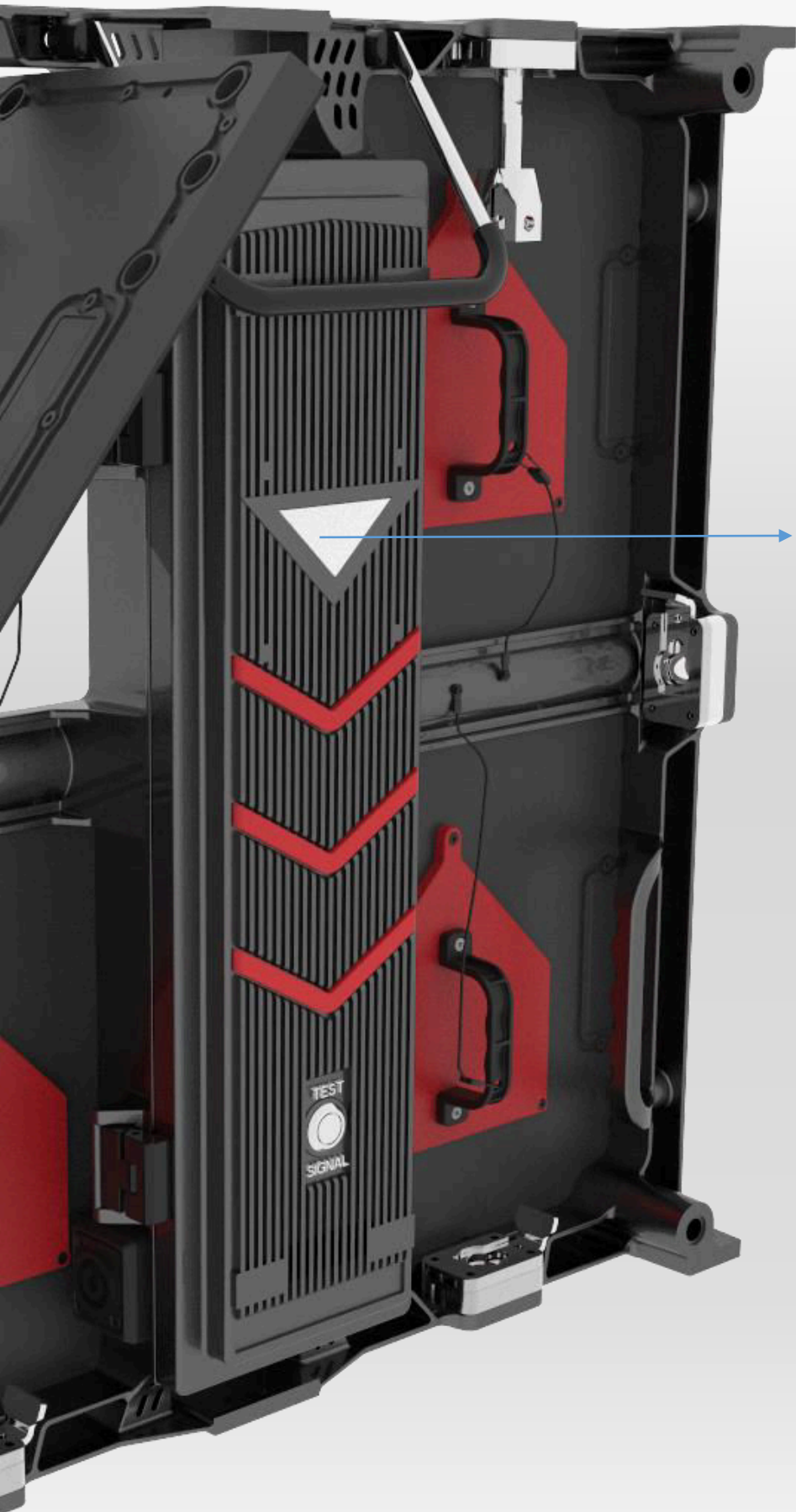
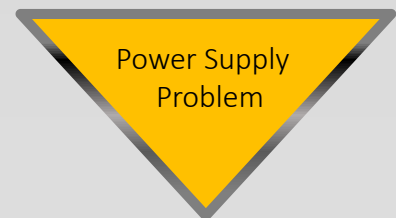
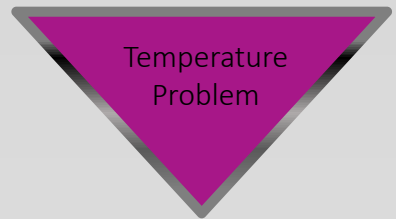
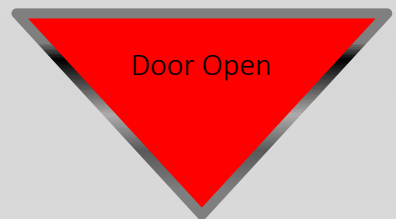
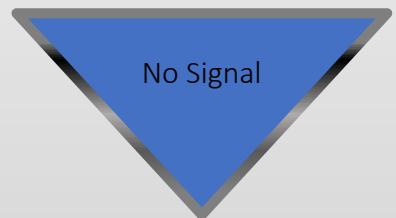
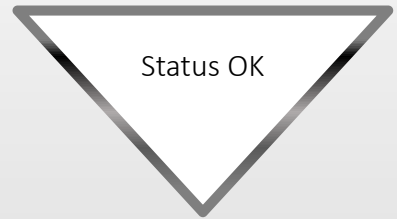


Microbus Event RC i/o

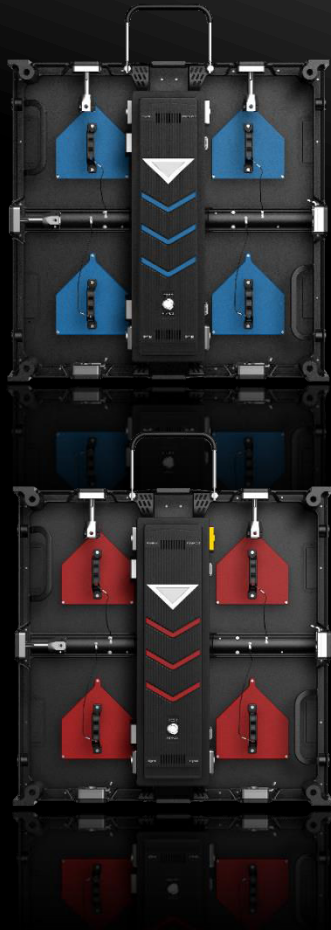




Status Light



Microbus Event DL RC i/o comes in a variety of pitches



RC1 - Indoor

P2.6

P2.97

P3.2

P3.9

P4.8

RC2 - Outdoor <can be used indoor>

P2.6

P3.2

P3.9

P4.8

P6.25

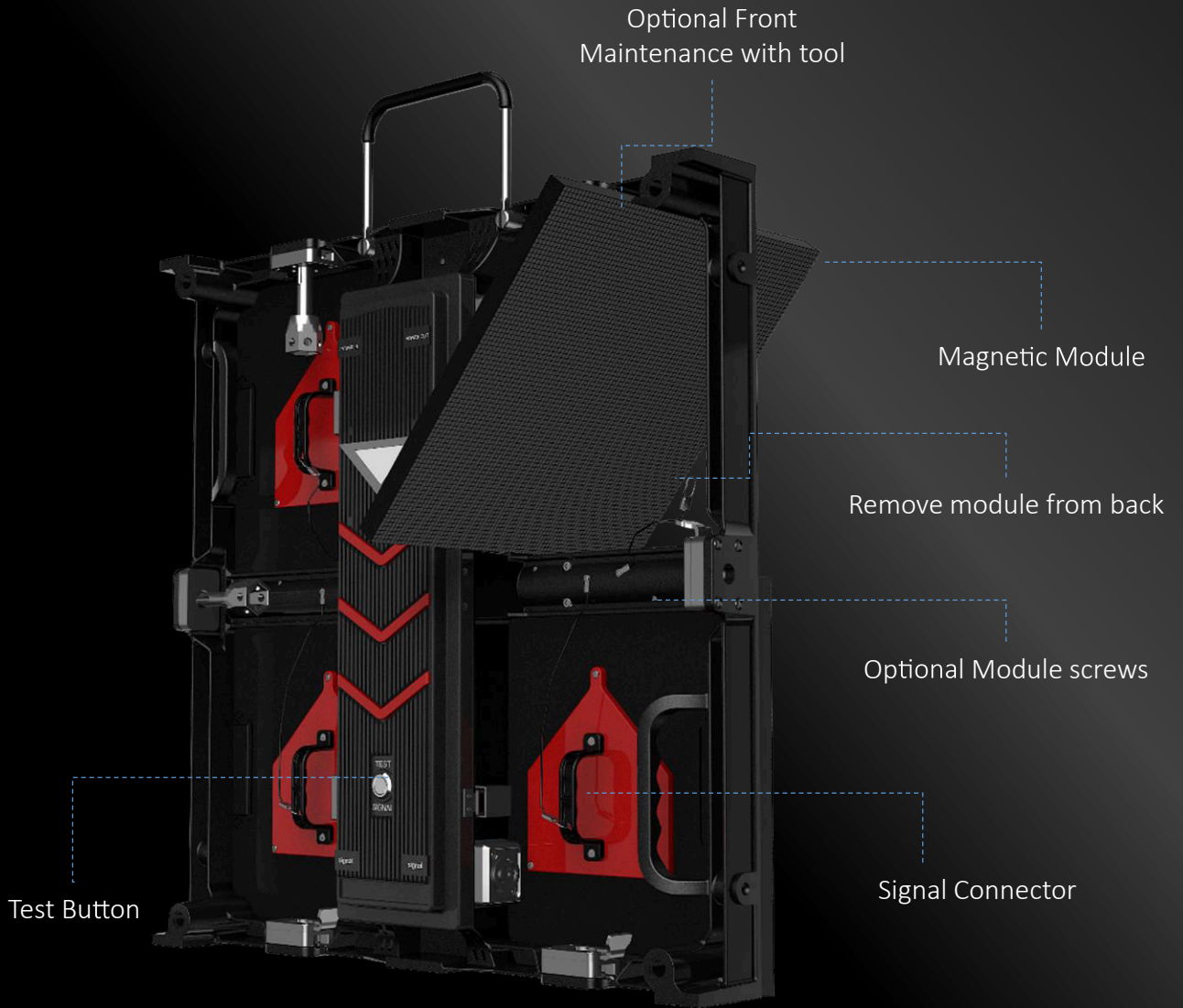
Diecast Aluminum

500x500mm European Metric Size



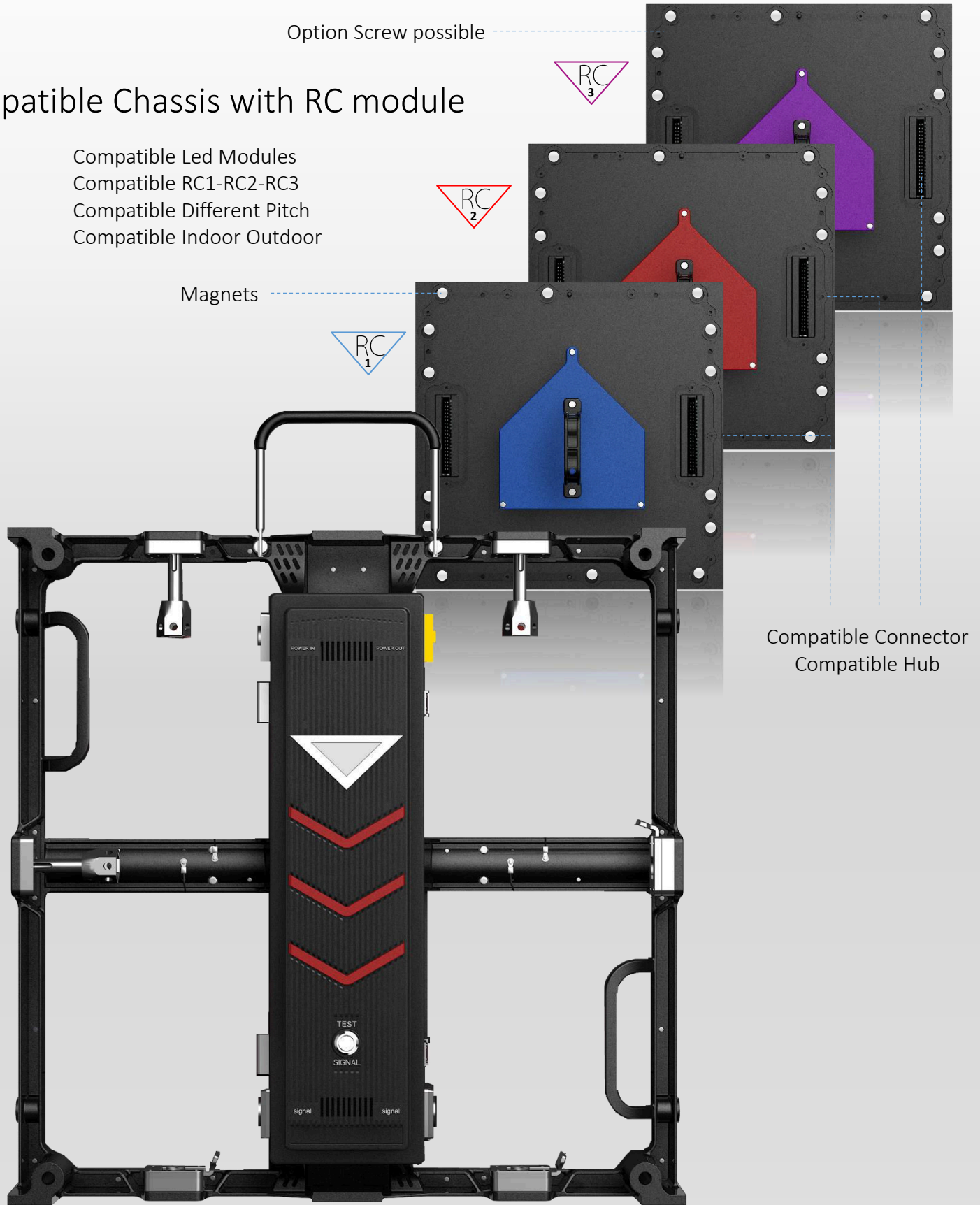
Easy Maintenance

Fast Service



Compatible Chassis with RC module

- Compatible Led Modules
- Compatible RC1-RC2-RC3
- Compatible Different Pitch
- Compatible Indoor Outdoor



Buy Chassis without Module and ship by Boat.
Choose later on the RC1, RC2, RC3 Led Modules by Air

Assembly Magnetic Modules on chassis 5sec each Led Module



Serial Power Connection

Serial Signal Connection

Construction

Hang Construction Max 20 panels each row
Stack Construction Max 20 panels each row

Aluminum Profile

Truss Hook

Beam Side lock

Fast Lock cabinet



Stacking Rack

Optional Stacking Plate

Fast Stacking Pole

Stacking Pole Feet

Stacking pole connect display



Lift handles

Protection Corner

Flight Case

Display Manual

Peek Window

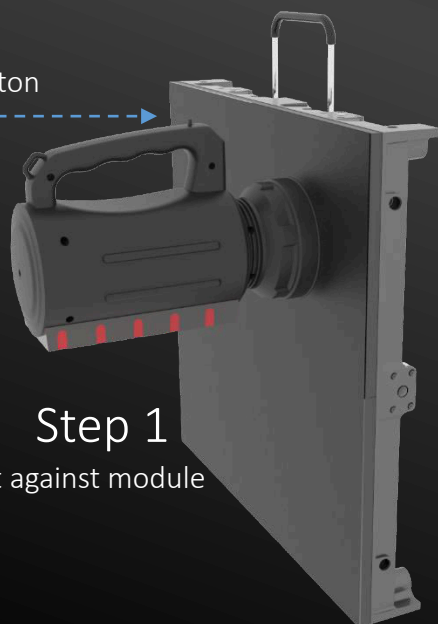


Special Tool

Front Service and Waterproof

Step 2

Push button

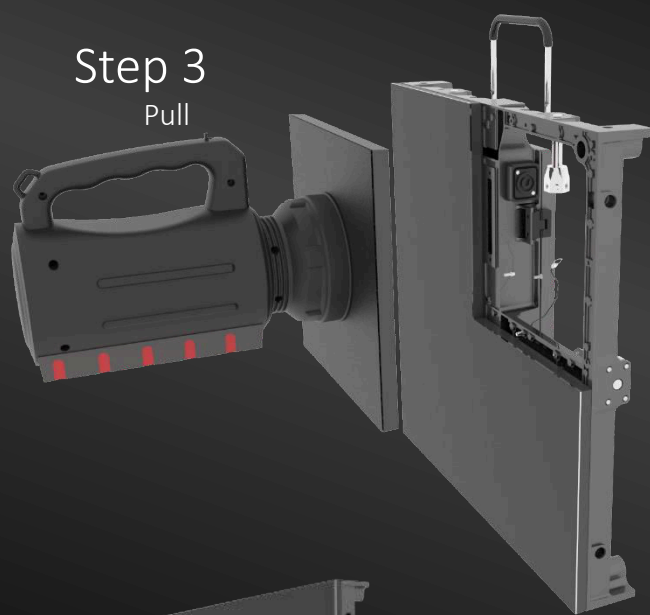


Step 1

Put against module

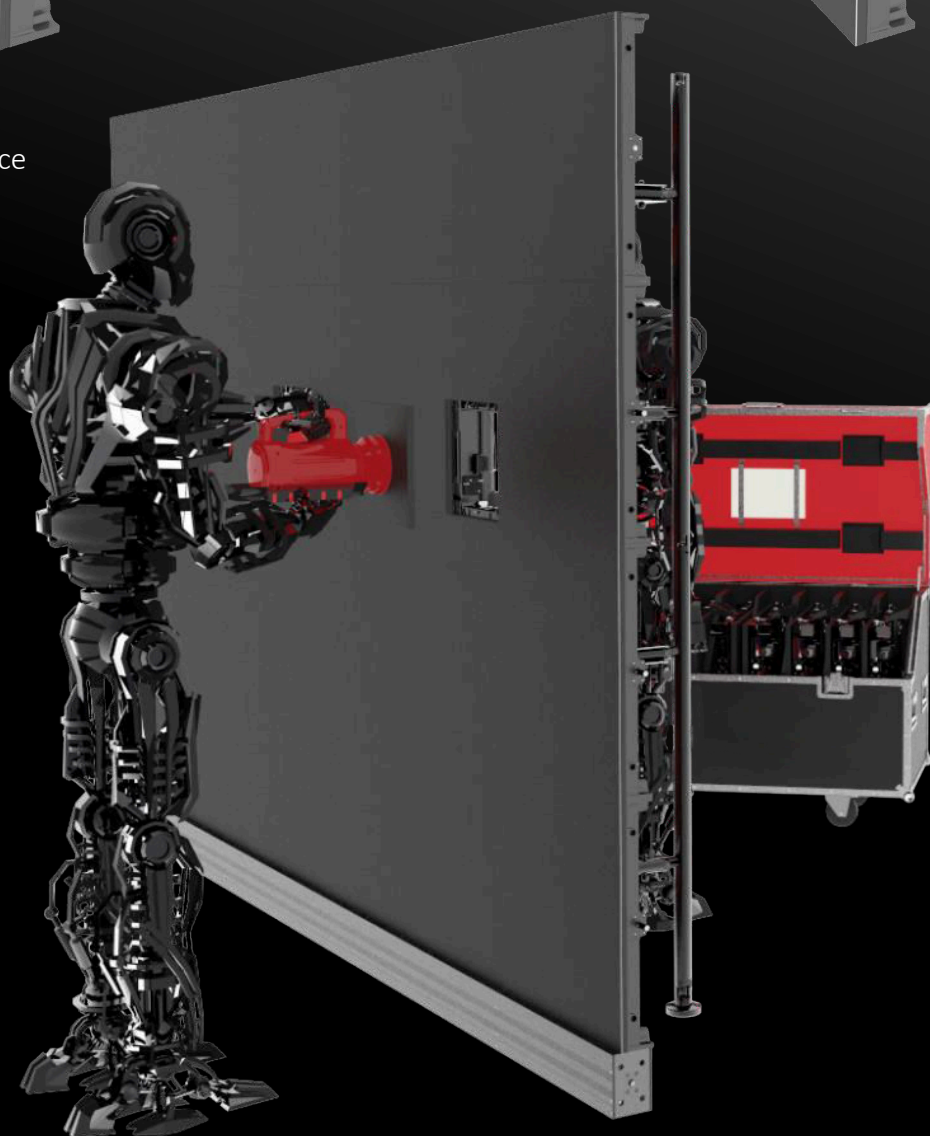
Step 3

Pull



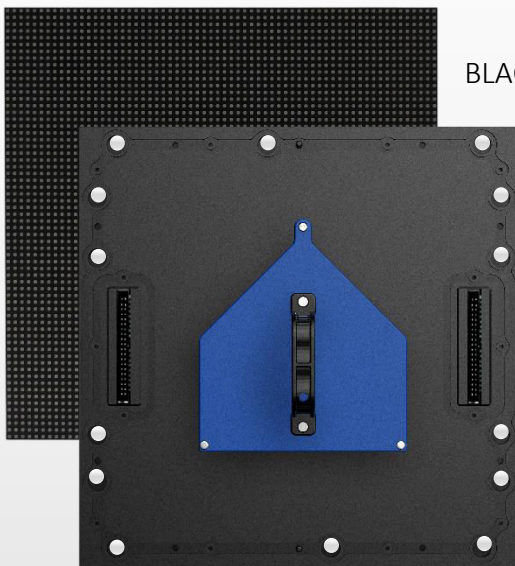
Front & Back Service

Special tool for Front Service



RC Led Module

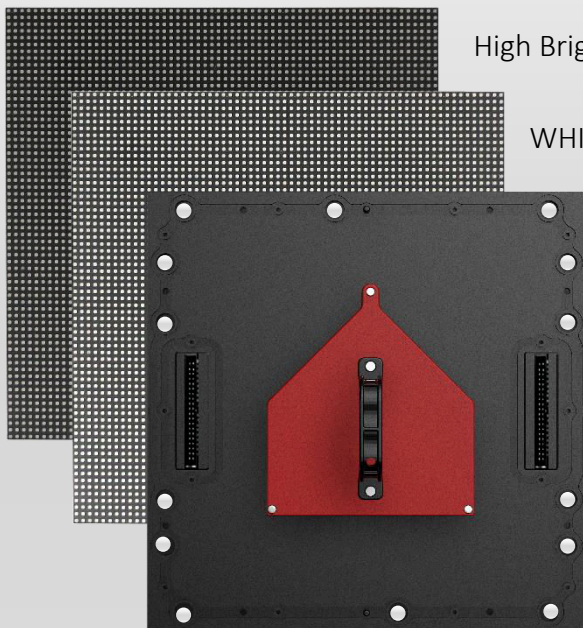
250x250mm



BLACK FACE SMD

INDOOR
RC
1

- ✓ Black SMD High Contrast
- ✓ Calibration Memory in Module
- ✓ Magnetic (option screw)
- ✓ No AB Module (no left right)
- ✓ High Uniformity
- ✓ Breathing Module Mechanics
- ✓ No Ghosting
- ✓ High Refresh

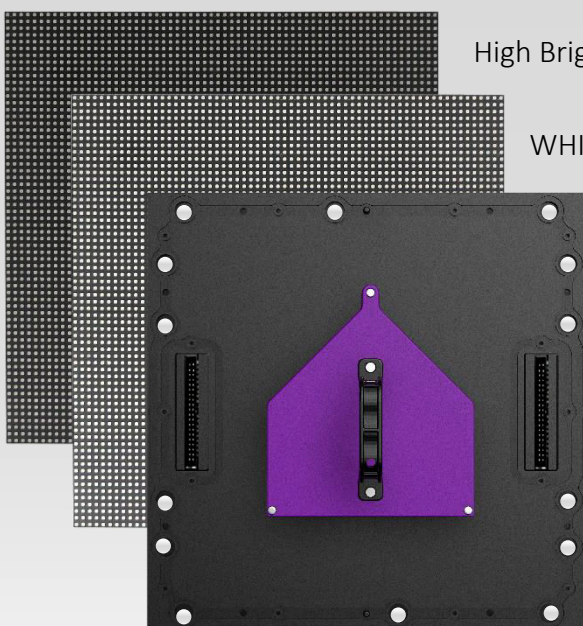


High Brightness BLACK FACE SMD

WHITE FACE SMD

OUTDOOR
RC
2

- ✓ Black SMD Optional (more contrast)
- ✓ White SMD Standard (more bright)
- ✓ Calibration Memory in Module
- ✓ Magnetic Waterproof (option screw)
- ✓ No AB Module (no left right)
- ✓ High Uniformity
- ✓ Breathing Module Mechanics
- ✓ No Ghosting
- ✓ High Refresh



High Brightness BLACK FACE SMD

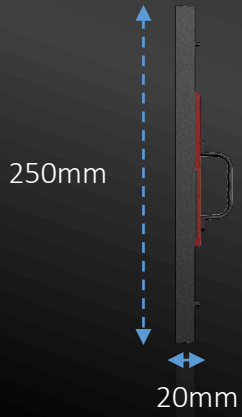
WHITE FACE SMD

BRIGHT
RC
3

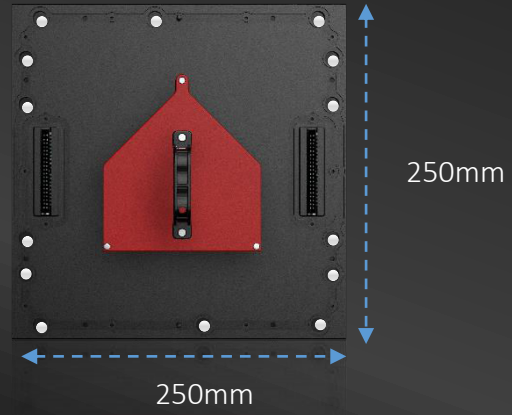
- ✓ Black SMD Optional (more contrast)
- ✓ White SMD Standard (more bright)
- ✓ Calibration Memory in Module
- ✓ Magnetic (option screw)
- ✓ No AB Module (no left right)
- ✓ High Uniformity
- ✓ Breathing Module Mechanics
- ✓ No Ghosting
- ✓ High Refresh

Measurement

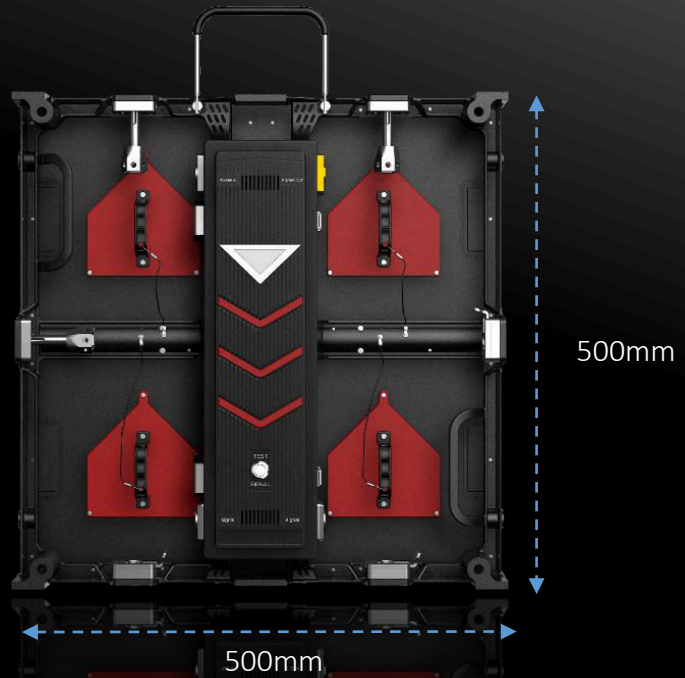
European Metric Size



Weight 0.5kg









Weight 9kg



Optional Chassis colours

Can be fully black

Functions

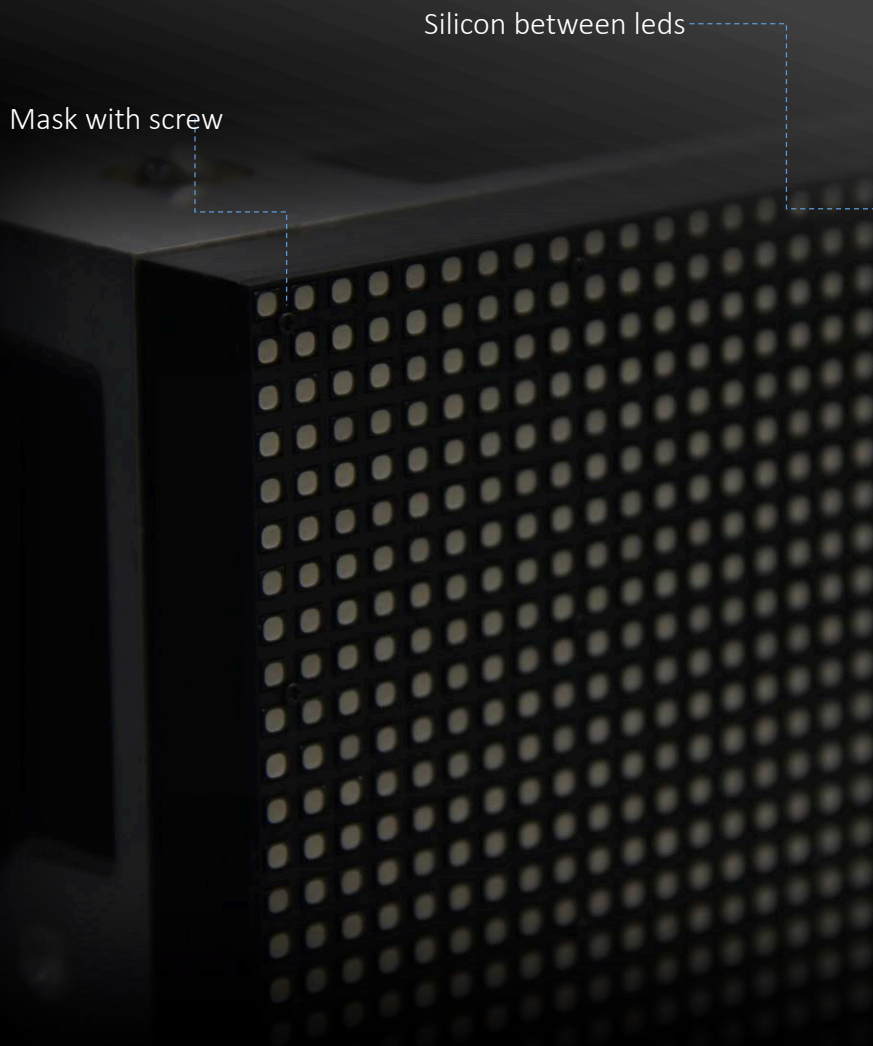
	OUTDOOR RC 2	INDOOR RC 1	BRIGHT RC 3
 Fast Repair	<input checked="" type="checkbox"/>	<input checked="" type="checkbox"/>	<input checked="" type="checkbox"/>
 Magnetic Module	<input checked="" type="checkbox"/>	<input checked="" type="checkbox"/>	<input checked="" type="checkbox"/>
 Aluminum Diecast	<input checked="" type="checkbox"/>	<input checked="" type="checkbox"/>	<input checked="" type="checkbox"/>
 High Brightness	<input checked="" type="checkbox"/>	NO	<input checked="" type="checkbox"/>
 Waterproof	Full IP55	NO	NO
 No Ghost Effect	<input checked="" type="checkbox"/>	<input checked="" type="checkbox"/>	<input checked="" type="checkbox"/>
 No Need FAN	<input checked="" type="checkbox"/>	<input checked="" type="checkbox"/>	<input checked="" type="checkbox"/>
 High uniformity	<input checked="" type="checkbox"/>	<input checked="" type="checkbox"/>	<input checked="" type="checkbox"/>
 Fireproof Materials	<input checked="" type="checkbox"/>	<input checked="" type="checkbox"/>	<input checked="" type="checkbox"/>



Outdoor Quality

Special Mask Patent Technology

- ✓ For RC2 OUTDOOR – P3.2 to P4.8 we all use mask
- ✓ No deformation when the display heats up
- ✓ Silicon between the leds without deformation
- ✓ High uniformity also from big viewing angles





Hanging Bar



Stacking Bar



Stacking Rack



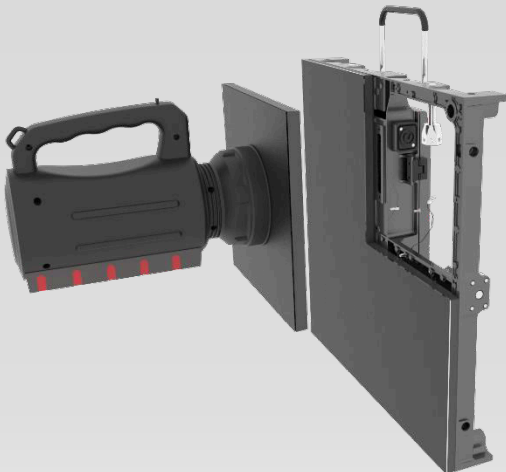
Flight case with window



Triangle Power Indication



Test Button



P2.6, P3.2, P3.9 Front Service



P4.8, P6.25 Front Service



Module Back service

INDOOR

Microbus Event DL RC i/o

RC1 - Specifications

Series Nr	RC1-P1.95-i	RC1-P2.6-i	RC1-P2.97-i	RC1-P3.2-i	RC1-P3.9-i	RC1-P4.8-i
Pitch	P1.95	P2.6	P2.97	P3.2	P3.9	P4.8
Brightness						
Black SMD	>1200cd/m ²	>1200cd/m ²	>1000cd/m ²	>1000cd/m ²	>1000cd/m ²	>1000cd/m ²
White SMD	/	/	/	/	/	/
Distance	>1.9m	>2.6m	>2.97m	>3.2m	>3.9m	>4.8m
LED kind	SMD1010	SMD1010	SMD2020	SMD2020	SMD2020	SMD2020
Pixel Density	262144 /m ²	147456 /m ²	112896 /m ²	97344 /m ²	65536 /m ²	43265 /m ²
View Angle	140°/140°	140°/140°	140°/140°	140°/140°	140°/140°	140°/140°
Refreshrate	>1920hz	>1920hz	>1920hz	>1920hz	>3840hz	>3840hz
Module Size	250x250mm	250x250mm	250x250mm	250x250mm	250x250mm	250x250mm
Cabinet Size	500x500mm	500x500mm	500x500mm	500x500mm	500x500mm	500x500mm
Cabinet Res.	256x256px	192x192px	168x168px	156x156px	128x128px	104x104px
Drive Mode	1/32 scan	1/16 scan	1/28 scan	1/13 scan	1/16 scan	1/13 scan
Environment	IP20	IP20	IP20	IP20	IP20	IP20
Max Power	420W/m ²	420W/m ²	420W/m ²	420W/m ²	420W/m ²	420W/m ²
Voltage	100v-220v	100v-220v	100v-220v	100v-220v	100v-220v	100v-220v
Weight	10kg	10kg	10kg	10kg	10kg	10kg
Popular	High End	High End	High End	High End	Hot	Hot
Price Class						

For Europe

For United States



OUTDOOR

Microbus Event DL RC i/o

RC2 - Specifications

Series Nr	RC2-P2.6-o	RC2-P3.2-o	RC2-P3.9-o	RC2-P4.8-o	RC2-P6.25-o
Pitch	P2.6	P3.2	P3.9	P4.8	P6.25
Brightness					
Space Black SMD	>4500cd/m ²	>4500cd/m ²	>4500cd/m ²	>4500cd/m ²	>4500cd/m ²
Black Shell SMD	>5000cd/m ²	>5000cd/m ²	>6000cd/m ²	>6000cd/m ²	>6500cd/m ²
Distance	>2.6m	>3.2m	>3.9m	>4.8m	>6.25m
LED kind	SMD XXXX	SMD1921	SMD2424	SMD2727	SMD2727
Pixel Density	147456/m ²	97344 /m ²	65536 /m ²	43265 /m ²	25600 /m ²
View Angle	140°/140°	140°/140°	140°/140°	140°/140°	140°/140°
Refreshrate	>3840hz	>3840hz	>3840hz	>3840hz	>3840hz
Module Size	250x250mm	250x250mm	250x250mm	250x250mm	250x250mm
Cabinet Size	500x500mm	500x500mm	500x500mm	500x500mm	500x500mm
Cabinet Res.	192x192px	156x156px	128x128px	104x104px	80x80px
Drive Mode	1/16 scan	1/13 scan	1/8 scan	1/7 or 1/13 scan	1/5 scan
Environment	IP65/55	IP65/55	IP65/55	IP65/55	IP65/55
Max Power	950W/m ²	950W/m ²	950W/m ²	950W/m ²	950W/m ²
Voltage	100v-220v	100v-220v	100v-220v	100v-220v	100v-220v
Weight	10kg	10kg	10kg	10kg	10kg
Popular	High End	High End	High End	Hot	Favored
Price Class					

For Europe

For United States

